

# WALL MOUNT PDW T M P/L & PDW T L P/L

UNIVERSAL MEDIUM & LARGE TILT WALL MOUNT

Solid universal wall mount with tilt function for NEC Large Format Displays from 32" to 65" available for either landscape or portrait orientation.

Together with specific connectors, this wall mount includes a variety of features to make multi display installations fast and easy. It is therefore the ideal solution for quick serve restaurants and for airport flight information boards. In addition optional video conference accessories make it the perfect choice for any kind of meeting room situation.



## Delivering Genuine Benefits

Provides effortless tilting by using the center of gravity to balance the screen

Post-installation lateral shift allows displays to slide apart and back together to simplify installation and maintenance

Hear an audible click when the displays safely engage with the mount

Provides low-profile, fingertip tilt

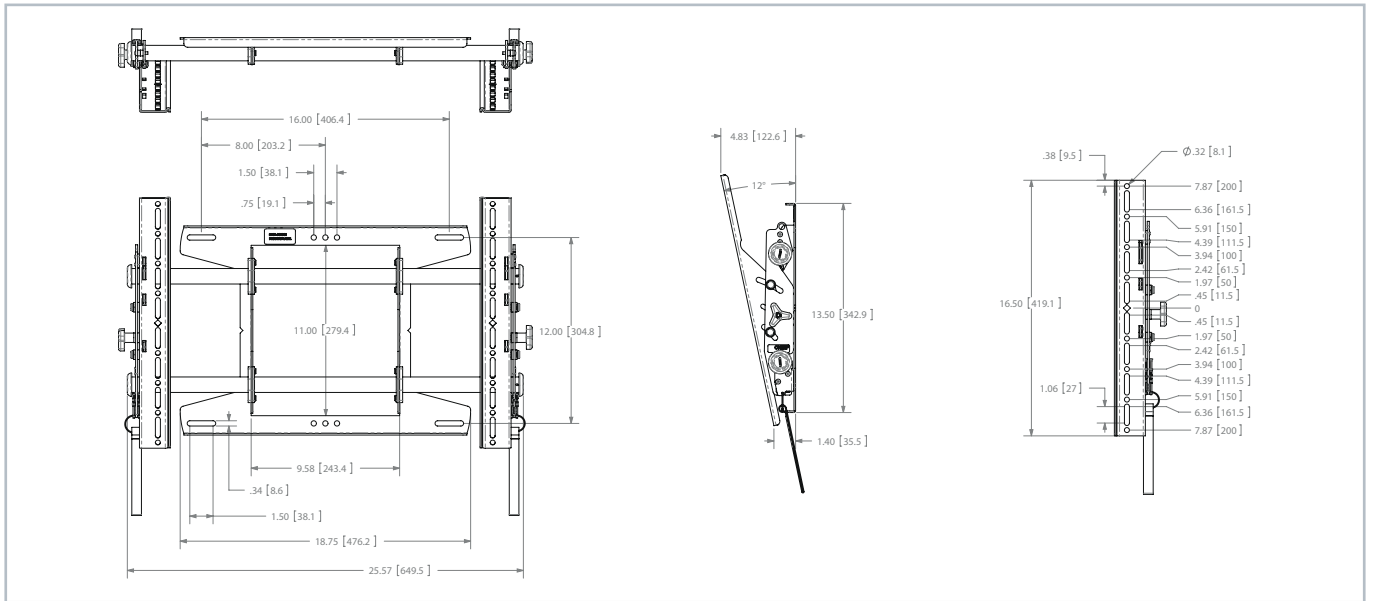
Built-in cable stand provides easy access under the screen

Optional Connector Kits easily connect mounts to create multi-monitor menu board configurations

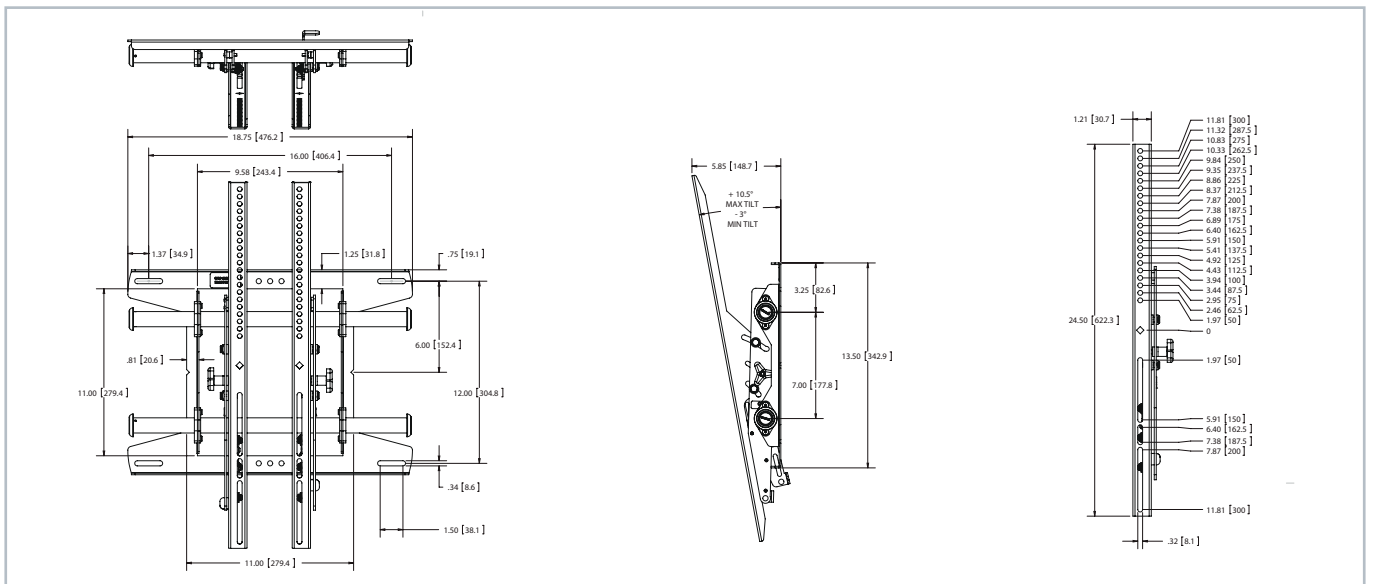
Optional accessories (Video Conference Shelf, Component Shelf, etc.) make it the perfect solution for video conferencing applications

# TECHNICAL DRAWINGS

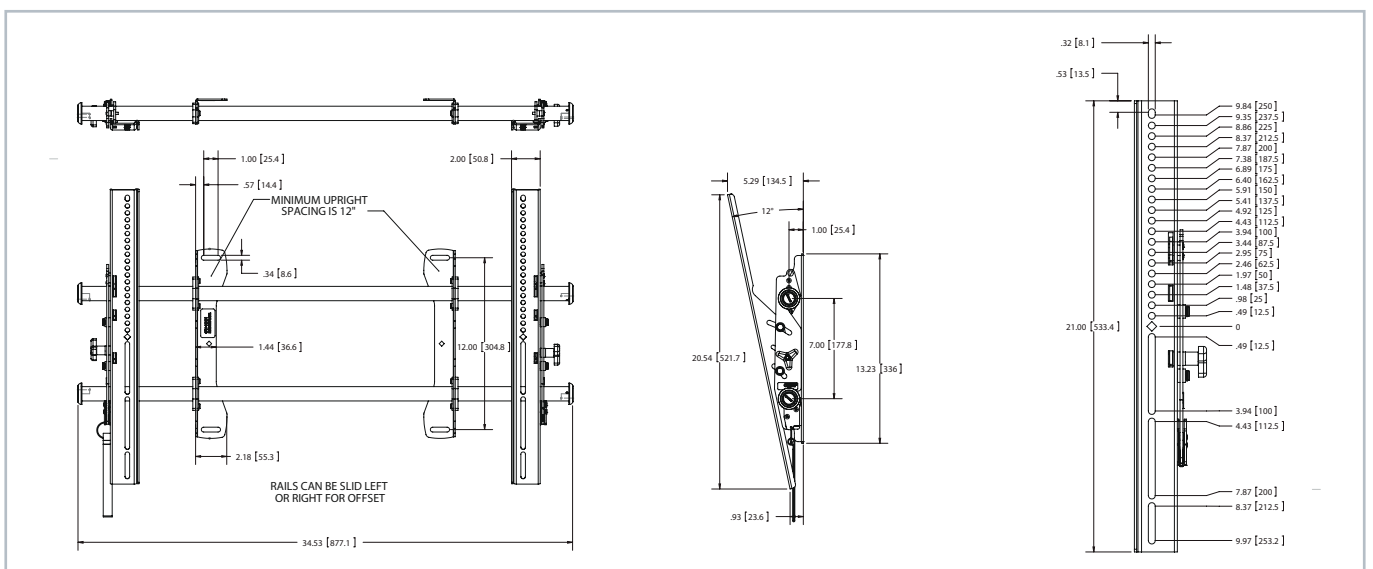
## PDW T M L



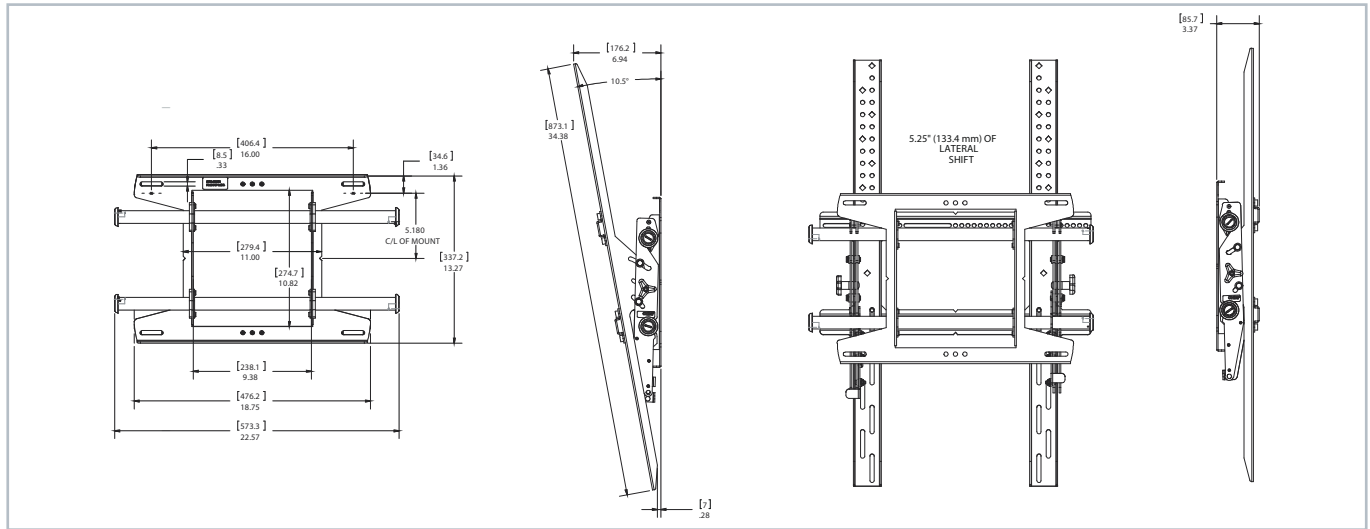
## PDW T M P



## PDW T L L



**PDW T L P**



**CONNECTOR KITS AVAILABLE TO MAKE MENU BOARD INSTALLATIONS QUICK AND EASY**

**CONNECTOR KITS FOR NEC MULTISYNC® 40" P SERIES**

CONFIGURATIONS	LANDSCAPE					PORTRAIT				
	2x1	3x1	4x1	5x1	6x1	2x1	3x1	4x1	5x1	6x1
Mount	PDW T M L	PDW T M L	PDW T L L	PDW T L L	PDW T L L	PDW T M P	PDW T M P	PDW T M P	PDW T M P	PDW T M P
Mount QTY	2	3	4	5	6	2	3	4	5	6
Connector Kit	CK MB M	CK MB M	CK MB S	CK MB S	CK MB S	-	CK MB M	CK MB M	CK MB M	CK MB M
Connector Kit QTY	1	2	3	4	5	-	1	1	1	2

**CONNECTOR KITS FOR NEC MULTISYNC® 40" XS SERIES**

CONFIGURATIONS	LANDSCAPE					PORTRAIT				
	2x1	3x1	4x1	5x1	6x1	2x1	3x1	4x1	5x1	6x1
Mount	PDW T L L	PDW T L L	PDW T L L	PDW T L L	PDW T L L	PDW T M P	PDW T M P	PDW T M P	PDW T M P	PDW T M P
Mount QTY	2	3	4	5	6	2	3	4	5	6
Connector Kit	CK MB S	CK MB S	CK MB S	CK MB S	CK MB S	CK MB S	-	-	-	-
Connector Kit QTY	1	2	3	4	5	1	-	-	-	-

**CONNECTOR KITS FOR NEC MULTISYNC® 46" P SERIES**

CONFIGURATIONS	LANDSCAPE					PORTRAIT				
	2x1	3x1	4x1	5x1	6x1	2x1	3x1	4x1	5x1	6x1
Mount	PDW T L L	PDW T L L	PDW T L L	PDW T L L	PDW T L L	PDW T L P	PDW T L P	PDW T L P	PDW T L P	PDW T L P
Mount QTY	2	3	4	5	6	2	3	4	5	6
Connector Kit	CK MB S	CK MB S	CK MB M	CK MB M	CK MB M	CK MB L	CK MB S	CK MB M	CK MB M	CK MB M
Connector Kit QTY	1	2	3	4	5	1	2	3	4	5

**CONNECTOR KITS FOR NEC MULTISYNC® 46" XS SERIES**

CONFIGURATIONS	LANDSCAPE					PORTRAIT				
	2x1	3x1	4x1	5x1	6x1	2x1	3x1	4x1	5x1	6x1
Mount	PDW T M L	PDW T M L	PDW T M L	PDW T M L	PDW T M L	PDW T L P	PDW T L P	PDW T L P	-	-
Mount QTY	2	3	4	5	6	2	3	4	-	-
Connector Kit	CK MB M	CK MB L	CK MB L	CK MB L	CK MB L	CK MB S	CK MB S	CK MB S	-	-
Connector Kit QTY	1	2	3	4	5	1	2	3	-	-



# WALL MOUNT PDW T M P/L & PDW T L P/L

UNIVERSAL MEDIUM & LARGE TILT WALL MOUNT

## CONNECTOR KITS FOR NEC MULTISYNC® X462UNV/X463UN/X464UN

CONFIGURATIONS	LANDSCAPE					PORTRAIT				
	2x1	3x1	4x1	5x1	6x1	2x1	3x1	4x1	5x1	6x1
Mount	PDW T M L	PDW T M L	PDW T M L	PDW T M L	PDW T M L	PDW T L P	PDW T L P	PDW T L P	PDW T L P	PDW T L P
Mount QTY	2	3	4	5	6	2	3	4	5	6
Connector Kit	CK MB M	CK MB M	CK MB M	CK MB M	CK MB M	CK MB S	CK MB S	CK MB S	CK MB S	CK MB S
Connector Kit QTY	1	2	3	4	5	1	2	3	4	5

## TECHNICAL SPECIFICATIONS

ORDER CODES			
PDW T M L	100013089	PDW T M P	100013088
PDW T L L	100013091	PDW T L P	100013090
CONNECTOR KITS			
CK MB S	100013092		
CK MB M	100013093		
CK MB L	100013094		
RECOMMENDED DISPLAY SIZES			
PDW T M L	32" to 46"	PDW T M P	32" to 46"
PDW T L L	40" to 65"	PDW T L P	40" to 65"
MIN. DEPTH			
PDW T M L	50.5 mm	PDW T M P	61.0 mm
PDW T L L	50.5 mm	PDW T L P	86.0 mm
TILT FUNCTION			
PDW T M L	0° to 12°	PDW T M P	3° to 10°
PDW T L L	0° to 12°	PDW T L P	0° to 11°
LATERAL SHIFT			
PDW T M L	368.3 mm	PDW T M P	215.9 mm
PDW T L L	444.5 mm	PDW T L P	133.4 mm
CONFIGURATION	Unlimited number of displays in a row for Menu Board installation		
ORIENTATION	Landscape & Portrait		
MAX. WEIGHT CAPACITY			
PDW T M L	56.7 kg *	PDW T M P	56.7 kg *
PDW T L L	90.7 kg *	PDW T L P	90.7 kg *
WEIGHT OF MOUNT			
PDW T M L	17.0 kg	PDW T M P	8.0 kg
PDW T L L	18.0 kg	PDW T L P	11.8 kg
PACKAGE DIMENSIONS (H X W X D)			
PDW T M L	73 x 13 x 38 mm	PDW T M P	94 x 53 x 10 mm
PDW T L L	94 x 8 x 38 mm	PDW T L P	94 x 53 x 10 mm
SUPPORTED DISPLAYS	All NEC Large Format Displays from 32" to 65"		
CERTIFICATIONS	UL Listed		
WARRANTY	3 years		
For additional pictures and Solutions overview, Visit <a href="http://www.nec-display-solutions.com">www.nec-display-solutions.com</a> for details.	* Please consider the overall weight of the complete construction. It is the installers responsibility to make certain the structure to which the mount is being attached is capable of supporting all equipment. For this NEC does not take any responsibility. Please consult your local vendor if advise is needed.		

This document is © Copyright 2013 NEC Display Solutions Europe GmbH. All rights are reserved in favour of their respective owners. The document, or parts thereof, should not be copied, adapted, redistributed, or otherwise used without the prior written permission of NEC Display Solutions Europe GmbH. This document is provided "as is" without warranty of any kind whatsoever, either express or implied. Errors and omissions are accepted.

NEC Display Solutions Europe GmbH may make changes, revisions or improvements in, or discontinue the supply of any product described or referenced in this document at any time without notice. 30 July 2013

NEC Information:

Call: +49 (0)89/99 699-0

Email: [infomail@nec-displays.com](mailto:infomail@nec-displays.com)

[www.nec-display-solutions.com](http://www.nec-display-solutions.com)

Empowered by Innovation

